

Guangdong YONGFENG LIHUA Shading Technology Co., Ltd.

6th Floor, Chengzhi Building, Haiwu Road, Guicheng Street, Nanhai District, Foshan City, Guangdong, China

+86-757-86203833 info@sunlever.cn

WWW.SUNLEVER.NET



Global Aluminium Outdoor Shading Solutions Provider

Global Leading Design- Up to 7 meters span of louvered pergola in one module (E300)



LOUVERED PERGOLA



ABOUT SUNLEVER



Guangdong YONGFENG LIHUA Shading Technology Co., Ltd.

We started as the **Finished Product Department** of Foshan City Nanhai YONGFENG Aluminium Co., Ltd. **in 2007**. As the reward for our improvident and expansion over the past 10+ years, we established **Guangdong YONGFENG LIHUA Shading Technology Co., Ltd. (SunLever) in 2020**.

We started a new journey in the outdoor leisure and shading field with our new brand, new enterprise and new mission.

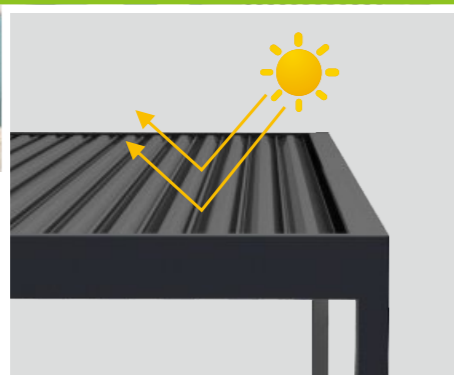
At **SunLever**, **“Enjoying a greater sunshine” and “Let high-end outdoor shading products no longer be a luxury need” are our reimagination and reconstruction of a better life**. We will be committed to develop and manufacture diversified outdoor shading products and accessories that are suitable for global needs. Create a free and comfortable shading space for everyone who loves outdoor living.

Looking forward to the future, **SunLever** will keep on expanding and innovating, **we strive to be the world’s leading supplier for outdoor leisure and shading living space solution!**

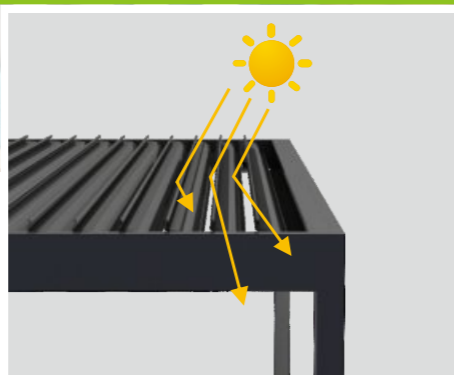
SunLever Louvered Pergola is a main shading structure for the new outdoor living space. The blades are operable and this enable the pergola to always provide the best environment. multipurpose usage scenarios, diversified design styles and impeccable control system ensure pergola to integrate as a single item into leisure living spaces. We offer both electric or manual control systems, standard or customize sizes, **SunLever Louvered Pergola** is a high-quality outdoor leisure shading product which can suit different living spaces.



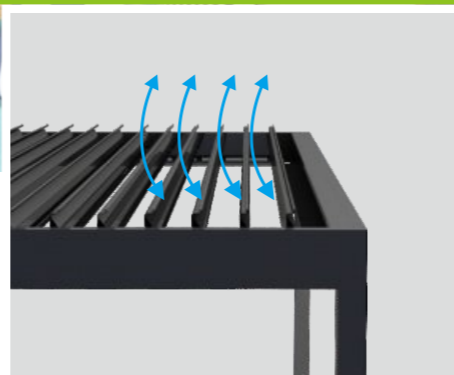
Rubber strip built into blades
To reach 100% waterproof



Double-layer blades
To achieve shading and heat insulation



0-120° blades open and close
To adjust light through refraction

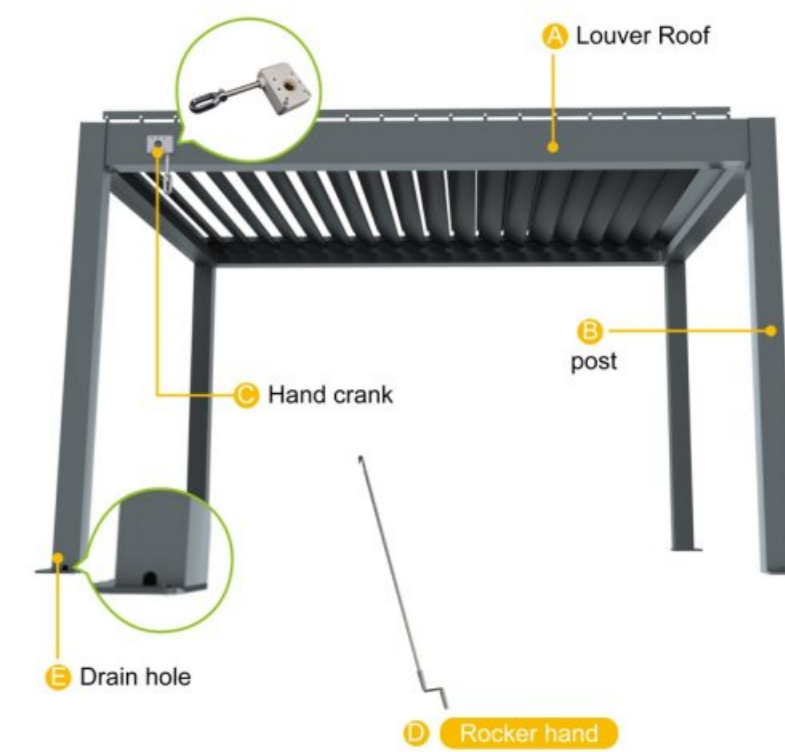


80% ventilation effect
To create a excellent ventilation environment

Electric Pergola System



Manual Control Pergola System



GARDEN

Without Pergola



VS



Pergola built

RESTAURANT



Without Pergola

VS



Pergola built

SWIMMING POOL

Without Pergola



VS



Pergola built

HOTEL



Without Pergola

VS



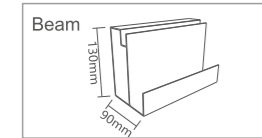
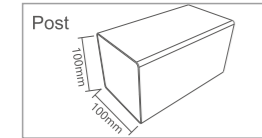
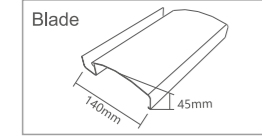
Pergola built

140S (Lucida)

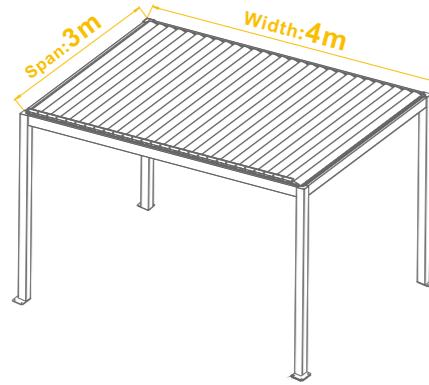
M140/E140 (Stellar)



Profiles section view



Schematic diagram of the maximum dimensions of a single module



| Standard Size | |
|---------------|------|
| Width | Span |
| 3m x 3m | |
| 4m x 3m | |

Standard Color



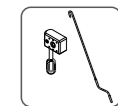
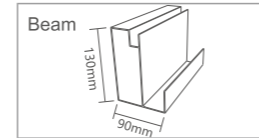
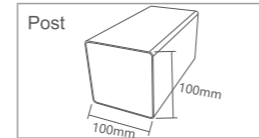
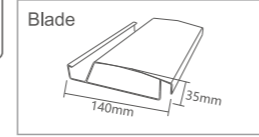
Dark Gray
YFC30041
RAL7043



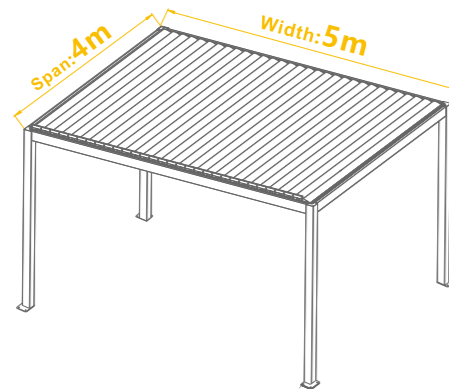
Matt White
YFS10001
RAL9016



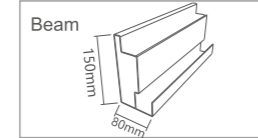
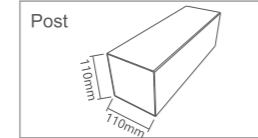
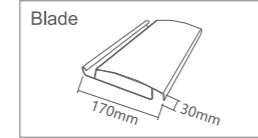
Profiles section view



Schematic diagram of the maximum dimensions of a single module



Profiles section view



M170 Standard Size

| Width | Span |
|---------|------|
| 3m x 3m | |
| 4m x 3m | |
| 4m x 4m | |

E170 Standard Size

| Width | Span |
|-------------|------|
| 3m x 3m | |
| 4m x 3m | |
| 5m x 3m | |
| 3.6m x 3.5m | |
| 4m x 3.5m | |
| 4m x 4m | |
| 5m x 4m | |

Standard Color



Dark Gray
YFC30038
RAL7016

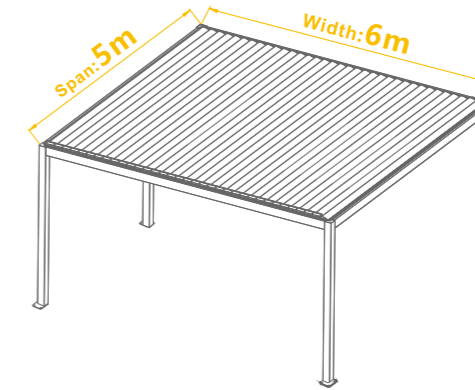


Matt White
YFS10001
RAL9016

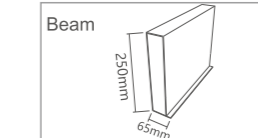
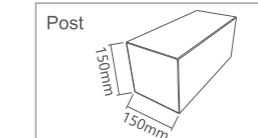
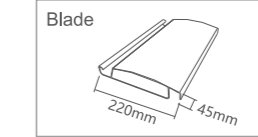
E220 (Luna)



Schematic diagram of the maximum dimensions of a single module:



Profiles section view



| Standard Size | |
|---------------|------|
| Width | Span |
| 3m x 3m | |
| 4m x 3m | |

Custom size: maximum dimensions of a single module is 30m²

Standard Color



Dark Gray
YFC30038
RAL7016



Matt White
YFS10001
RAL9016

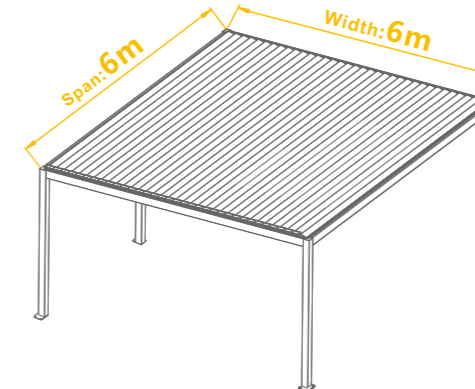


Matt Brown
YFC73072N
RAL8014

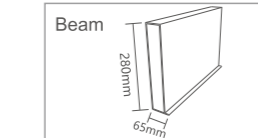
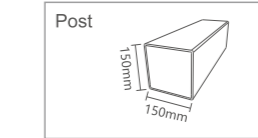
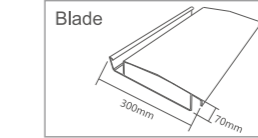
E300 (Wanax)



Schematic diagram of the maximum dimensions of a single module



Profiles section view



Standard Color



Dark Gray
YFC30038
RAL7016



Matt White
YFS10001
RAL9016

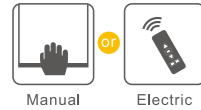


Matt Brown
YFC73072N
RAL8014

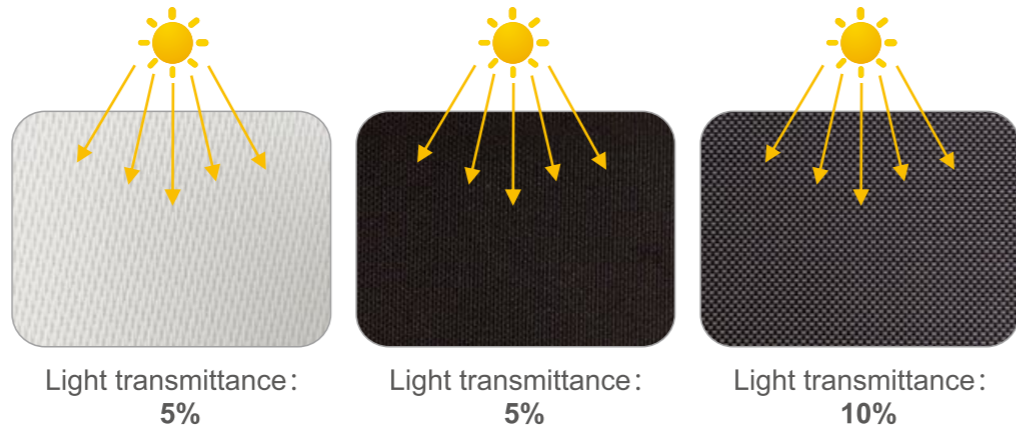
Custom size: maximum dimensions of a single module is 36m²

Zip Screen

- ☀️ A significant side shading system for Pergola.
- ☀️ A perfect match with Pergola through the same colour system.
- ☀️ An ultra-smooth fabric finish and a completely sealed system, offering less wind, rain, glare, and insects.



Standard fabric





Aluminium Shutter

☀️ A widely usable indoor and outdoor shading system.

☀️ An operable rotary system with any opening degree to control light and ventilate easily.



Fixed Shutter OS-1

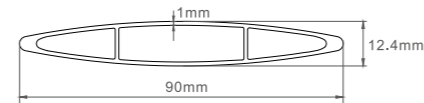


Bi-folding Shutter OS-2



Sliding Shutter OS-4

Blade Size:



Standard Color:

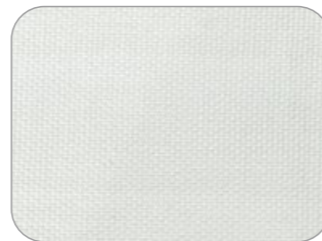


Sheer Curtain

- ☀️ A lightweight, soft, silky-feeling and transparent fabric.
- ☀️ A transparency and fullness to provide just enough privacy during daylight hours.
- ☀️ A Hi-Clean Finishing, Solar Heat Protection, Solar Light Protection, U.V Rays Protection performance.



Standard Translucent
Fabric:



Shading



Light-adjust



Ventilation



Privacy



UV resistant

Aluminium Balustrade

☀ An easy-installation, cost effective and low maintenance system.

☀ A strong structure and long-lasting colour to offer you safe outdoor space.

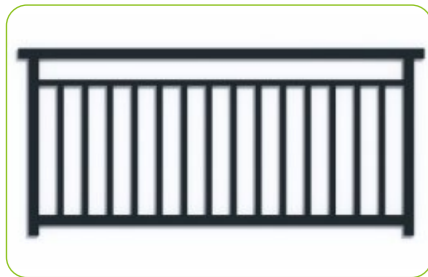


Standard Color:



Dark Gray
YFC30038
RAL7016

Standard Model:



▲ BAL-01



▲ BAL-02



▲ BAL-03



▲ BAL-04



Protection

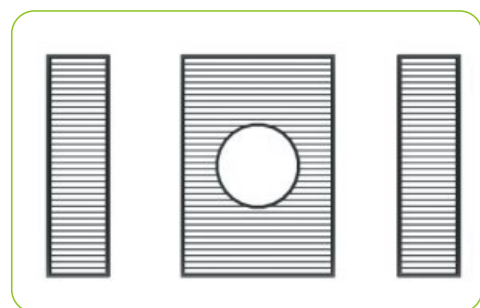


Decoration

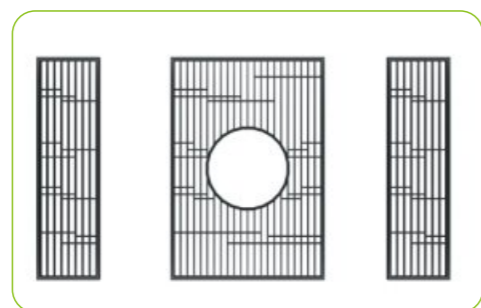
Aluminium Decorative Screen

- ☀ A natural design with the surrounding context.
- ☀ A traditional Chinese Classic style with new element.
- ☀ A sufficiently durable aluminium structure instead of wood material.

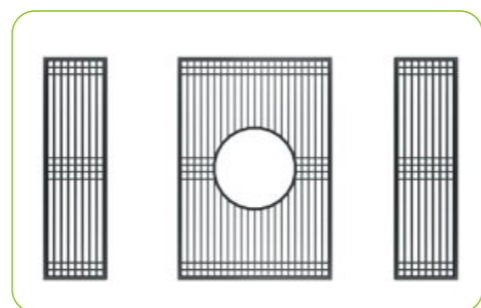
Standard Model:



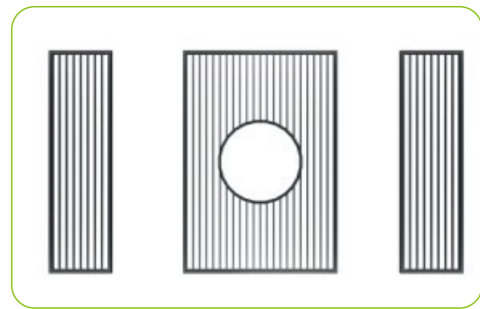
▲ LV-01



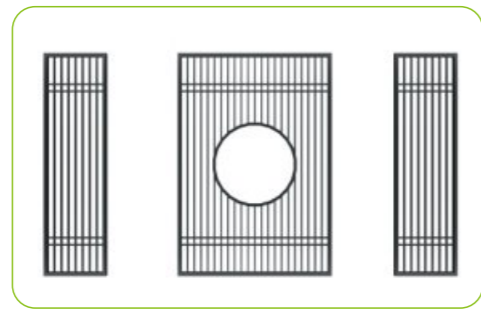
▲ LV-02



▲ LV-03



▲ LV-04



▲ LV-05

Standard Color:



Dark Gray
YFC30038
RAL7016



Matt Brown
YFC73072N
RAL8014



Shading



Protection



Decoration



Freestanding — 4 posts



Unilateral Mounting — 2 posts



Corner Wall Mounting — 1 post



Roof Standing — No post



Conjoined Post Standing — 2 conjoined posts





E220 case

Size: 4.5×9.9×3m

Relevant Product:
Aluminium Decorative Screen

Application: Garden

Matt Brown
YFC73072N
RAL8014



E220 case

Size: 9.39×2.99×2.8m

Relevant Product:
Electric Zip Screen

Application: Restaurant

Matt White
YFS10001
RAL9016

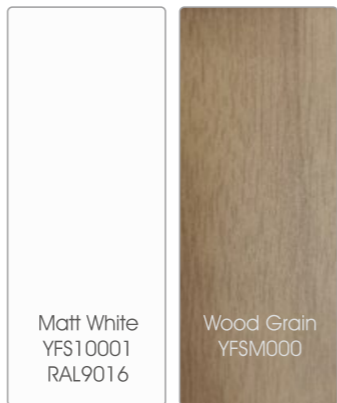


E300 case

Size: 10.31×3.435×3.33m,
13.215×2.95×3.36m

Relevant Product:
Aluminium Balustrade,
Electric Zip Screen

Application: Restaurant



Trapeziform case

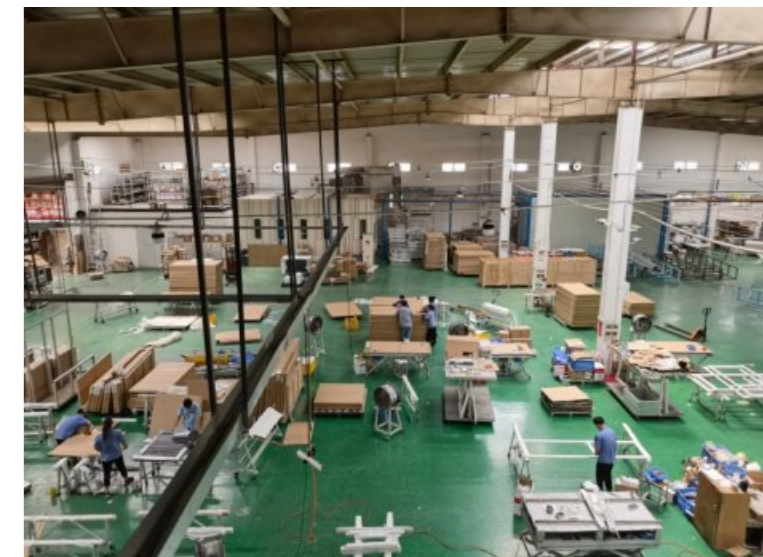
Size: 4.26×3.99m
Application: Swimming Pool





With 15 Years experience in outdoor shading products *research and development* *manufacturing* and *practical application*

40,000+ m² Production Plant



ADD: Xiebian Industrial Park, Dali Town, Nanhai District, Foshan City, Guangdong, China

1000+ m² indoor showroom



1000+ m² outdoor showroom

